

Insertion/Wet-Tap pH and ORP Assembly (No ATC)

Product Instructions

Description of Parts

S675 Insertion assembly with 12" insertion depth, 18" total length.

S676 Insertion assembly with 18" insertion depth, 24" total length.

S677 Insertion assembly with 24" insertion depth, 30" total length.

Mechanical Installation

1. Unscrew the hex nut from the adapter body and retract rod into body until you hear a "CLICK" (FIG 1)

2. Unscrew the white or black nut from the adapter body and pull out the insertion tube and the parts mounted on it as shown in FIG. 2.

3. Thread body assembly into 1" full-port ball-valve (user supplied) as shown in FIG. 3. Be sure and seal threads with teflon tape.

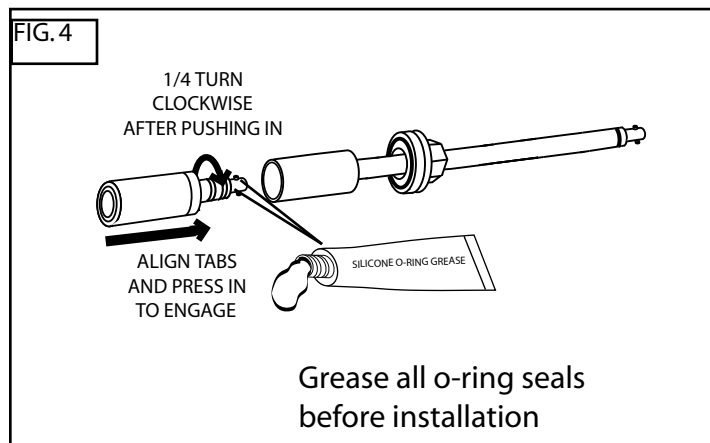
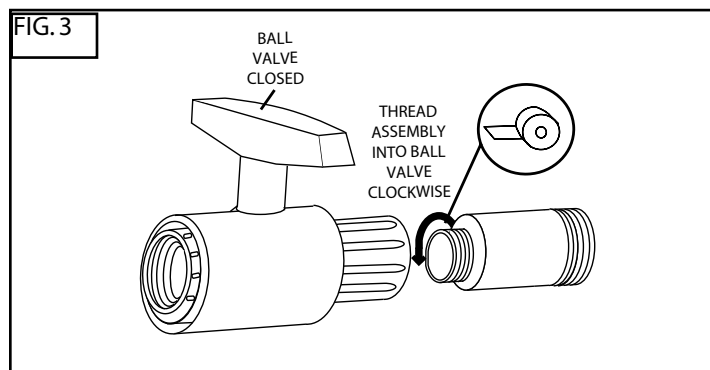
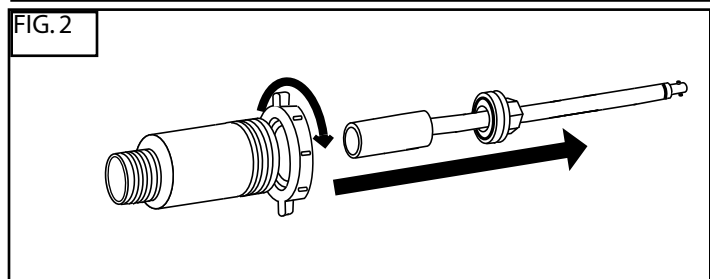
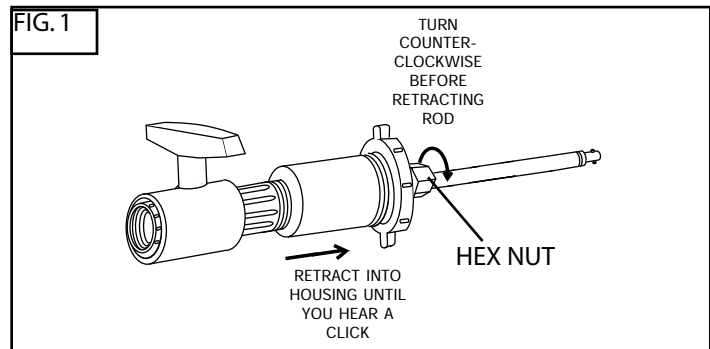
4. Install electrode into rod assembly by pushing electrode into large end of rod and rotate to align connector as shown in FIG. 4. Apply liberal amount of O-ring grease to o-rings on electrode. After engaging connectors, rotate 1/4 turn to lock electrode in place. **DO NOT INSERT INSERTION ROD ASSEMBLY INTO SOLUTION WITHOUT ELECTRODE ATTACHED!!!**

5. Insert rod into body assembly until o-ring face seal seals against body. Then slide white nut over rod from back side and tighten onto body. (FIG. 5)

6. Open ball valve then loosen hex nut and push rod into desired position. Tighten nut to hold position. (FIG. 6)

7. Push cap cable assembly into insertion rod and rotate to align tabs of BNC receptacle on rod with grooves of BNC in cap.

CAUTION: MAKE SURE ELECTRODE IS ORIENTED AS SHOWN IN FIG 4. OR WITH GLASS POINTED DOWNWARD WHEN INSTALLING OR REMOVING SO THAT LIQUID CANNOT FLOW BACK INTO THE INTERNAL CONNECTOR!



Insertion/Wet-Tap pH and ORP Assembly (No ATC)

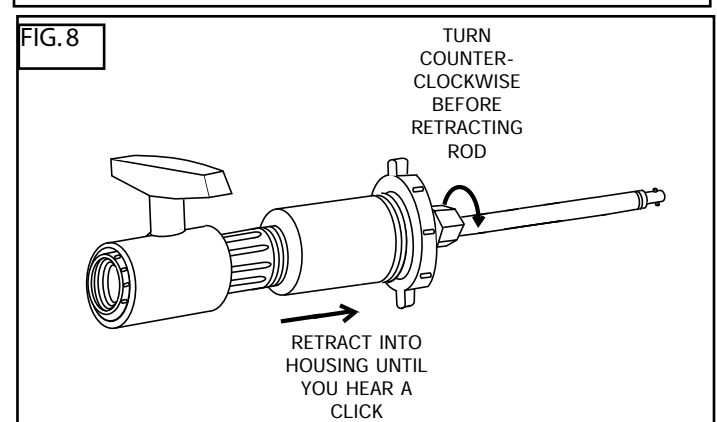
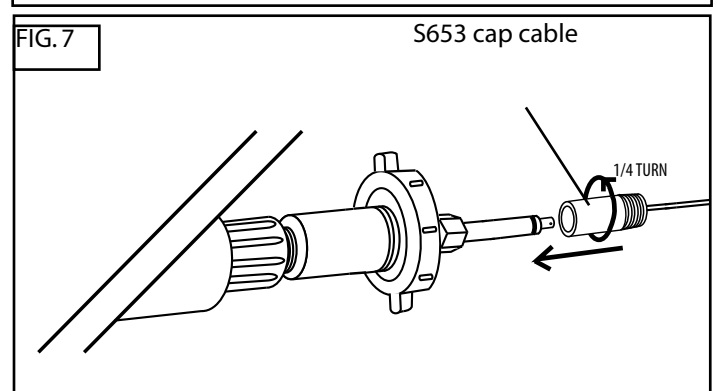
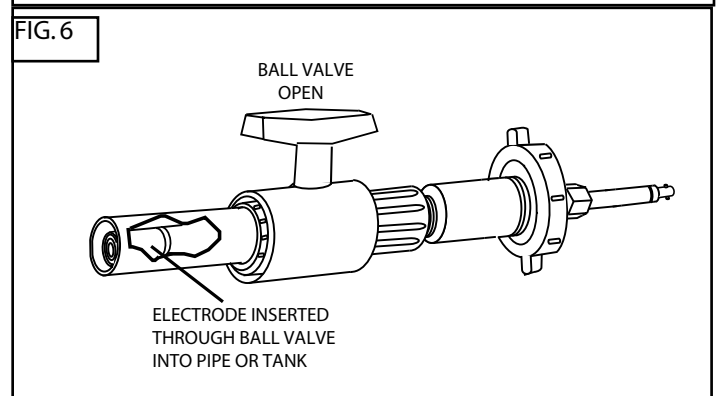
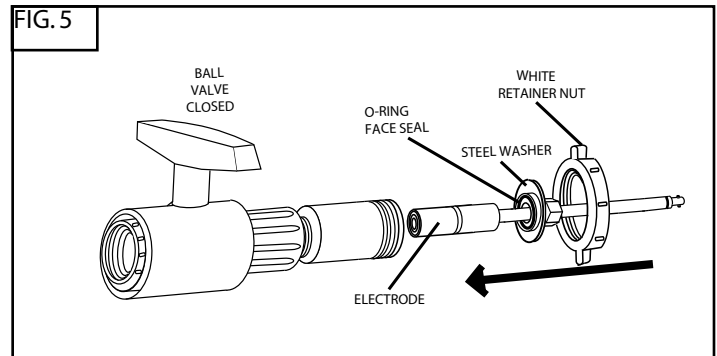
Product Instructions

Mechanical Removal

1. Remove cable assembly. This is reverse of step 7 (FIG. 7) in Mechanical Installation.
2. Loosen the hex nut and retract rod into body until you hear a "CLICK"
3. Remove the large white nut by turning counterclockwise and remove rod assembly with electrode attached as shown in FIG. 9.
4. Remove electrode by grasping rod in one hand and rotating the electrode cartridge 1/4 turn. Then pull the electrode and rod assembly apart as shown in FIG. 10.

Electrical Connections

The cable assembly connects the electrode to the pH pre-amplifier, transmitter or meter. It is usually supplied with connector(s) to match those of the pH meter.



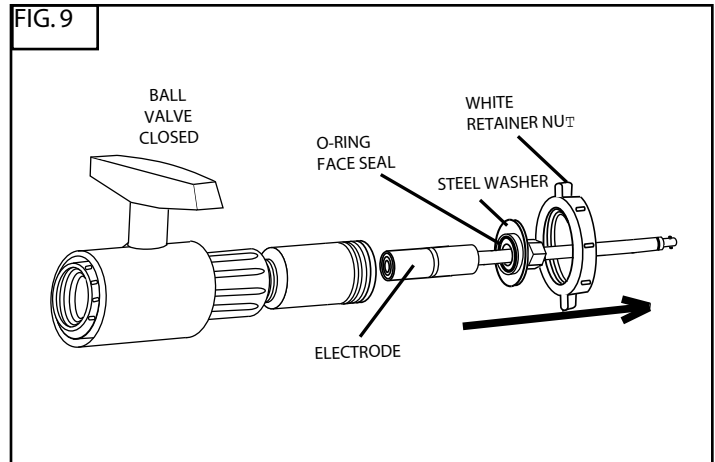
Insertion/Wet-Tap pH and ORP Assembly (No ATC)

Product Instructions

Cable Considerations

To install the cable in conduit, a threaded cable cap assembly should be used (S653). Before the main rigid conduit a length of flexible conduit (at least 6" longer than the insertion rod should be used so that the insertion rod can completely clear the adapter body (large body with 1" NPT that threads into ball valve) for removal or the electrode.

Part number	Minimum Length Flexible Conduit
S675	24" (61cm)
S676	30" (76cm)
S677	36" (91cm)



CAUTIONS:

1) DO NOT INSERT INSERTION ROD ASSEMBLY INTO SOLUTION WITHOUT ELECTRODE ATTACHED!!!

2) MAKE SURE ELECTRODE IS ORIENTED AS SHOWN IN FIG 4. OR WITH GLASS POINTED DOWNWARD WHEN INSTALLING OR REMOVING SO THAT LIQUID CANNOT FLOW BACK INTO THE INTERNAL CONNECTOR!

