

Insertion/Wet-Tap pH Assembly (with ATC)

Product Instructions

Description of Parts

S675TC Insertion assembly with 12" insertion depth, 18" total length, includes integral cable for pH and ATC.

S676TC Insertion assembly with 18" insertion depth, 24" total length, includes integral cable for pH and ATC.

S677TC Insertion assembly with 24" insertion depth, 30" total length, includes integral cable for pH and ATC

Mechanical Installation

1. Unscrew the hex nut from the adapter body and retract rod into body until you hear a "CLICK" (FIG 1)

2. Unscrew the white or black nut from the adapter body and pull out the insertion tube and the parts mounted on it as shown in FIG. 2.

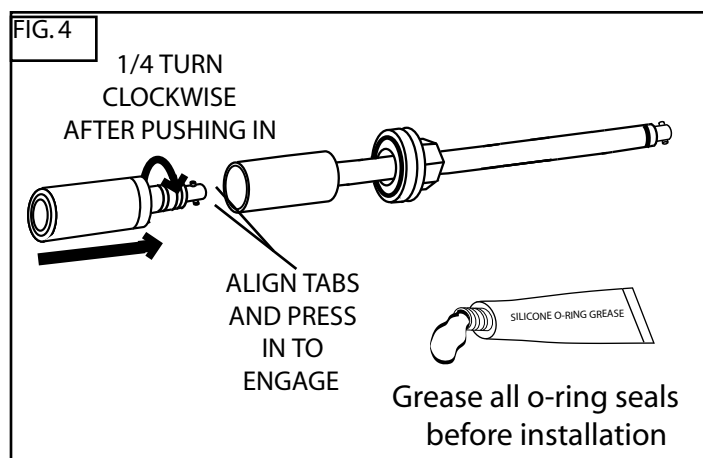
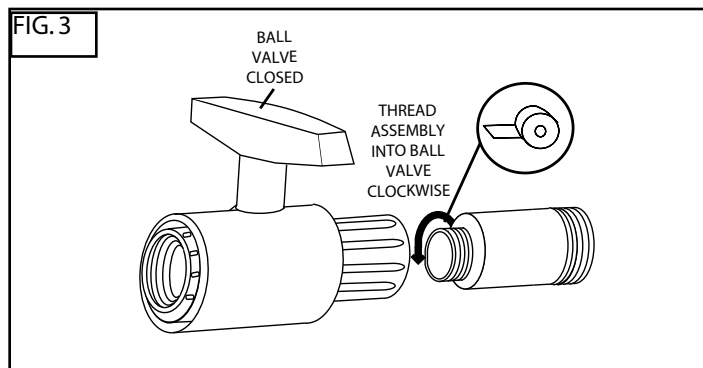
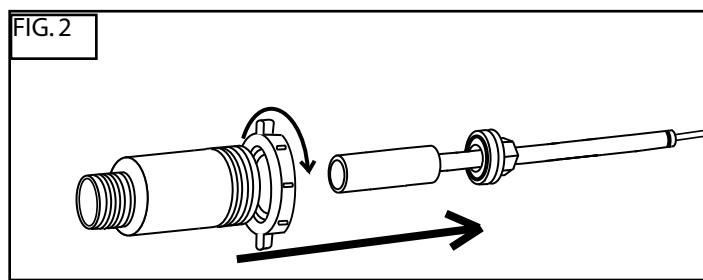
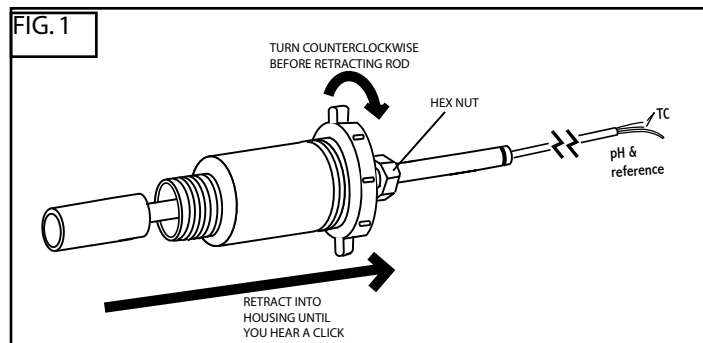
3. Thread body assembly into 1" full-port ball-valve (user supplied) as shown in FIG. 3. Be sure and seal threads with teflon tape.

4. Install electrode into rod assembly by pushing electrode into large end of rod and rotate to align connector as shown in FIG. 4. Apply liberal amount of O-ring grease to o-rings on electrode. After engaging connectors, rotate 1/4 run to lock electrode in place.

5. Insert rod into body assembly until o-ring face seal seals against body. Then slide white nut over rod from back side **and tighten onto body. (FIG. 5) DO NOT INSERT INSERTION ROD ASSEMBLY INTO SOLUTION WITHOUT ELECTRODE ATTACHED!!!**

6. Open ball valve then loosen hex nut and push rod into desired position. Tighten nut to hold position. (FIG. 6)

CAUTION: MAKE SURE ELECTRODE IS ORIENTED AS SHOWN IN FIG 4. OR WITH GLASS POINTED DOWNWARD WHEN INSTALLING OR REMOVING SO THAT LIQUID CANNOT FLOW BACK INTO THE INTERNAL CONNECTOR!



Insertion/Wet-Tap pH Assembly (with ATC)

Product Instructions

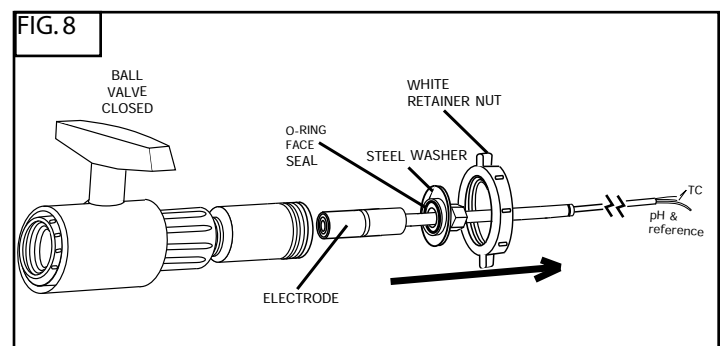
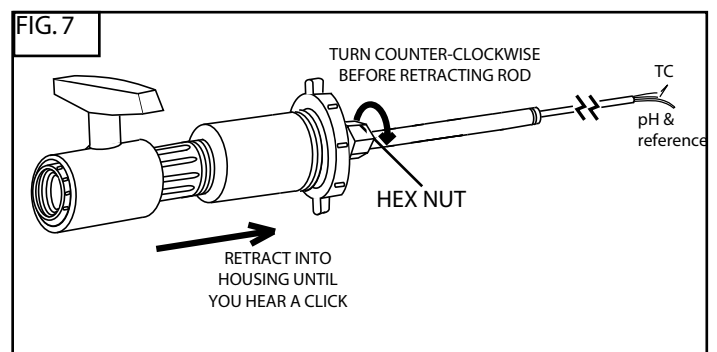
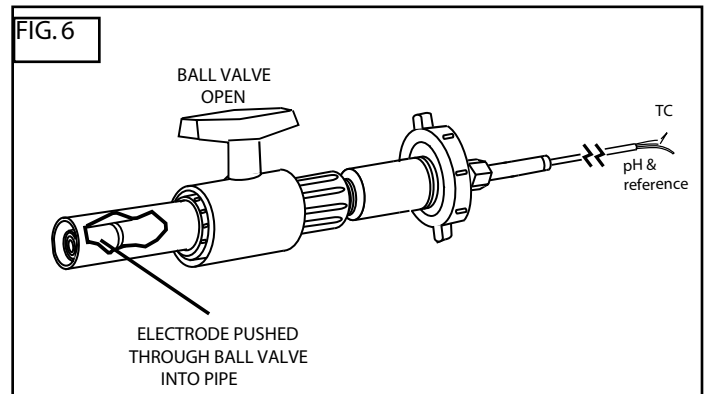
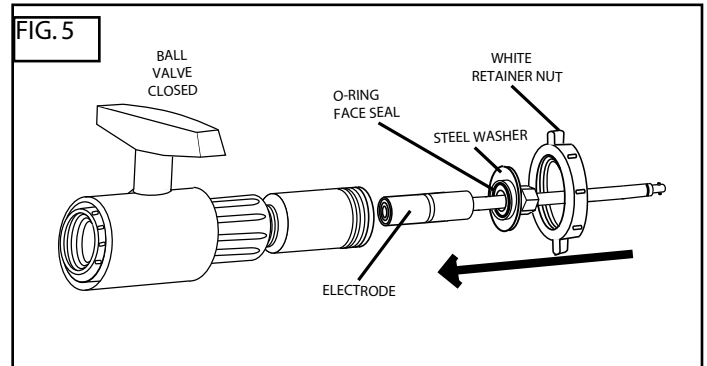
Mechanical Removal

1. Loosen the hex nut and retract electrode into body until you hear a "CLICK" (FIG. 7)
3. Remove the large white nut by turning counterclockwise and remove rod assembly with electrode attached as shown in FIG. 8.
4. Remove electrode by grasping rod in one hand and rotating the electrode cartridge 1/4 turn counterclockwise. Then pull the electrode and rod assembly apart as shown in FIG. 9.

Cable Considerations

To install the cable in conduit, a threaded cap assembly is provided on the cable. Before the main rigid conduit a length of flexible conduit (at least 6" longer than the insertion rod should be used so that the insertion rod can completely clear the adapter body (large body with 1" NPT that threads into ball valve) for removal or the electrode.

Part number	Minimum Length Flexible Conduit
S675TC	24" (61 cm)
S676TC	30" (76 cm)
S677TC	36" (91 cm)



Insertion/Wet-Tap pH Assembly (with ATC)

Product Instructions

Electrical Installation

The pH preamplifier/transmitter/meter electrical connections are as follows:

pH - _____

Reference - _____

Temperature Compensator* - _____

Solution Ground** - _____

NOTES:

* Unless noted above, either temperature compensator lead (red or black wires) may be connected to either temperature compensator terminal strip connection.

** The green wire is for solution ground. Not all units have or require a solution ground. The pH meter/transmitter instructions should provide information about the use of this connection. If no reference is made to a solution (not earth) ground connection then it probably is not needed.

