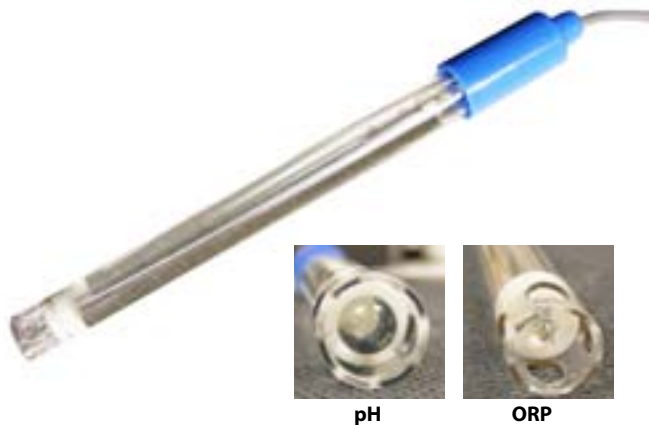


S150C(pH) and S151C-ORP Low Cost Polycarbonate Body Electrodes



Specifications

pH Measuring Range	0-14 pH Na+ error >12.3 pH)
Wetted Materials	Polycarbonate, Silicone, pH Glass or Platinum
Max Temperature	60 degrees C
Max Pressure	50 psig
Cable Length	30 inches stock, longer lengths available
Connectors	choice of BNC, (US Std, DIN at additional cost)
Response Speed pH	>90% in 1 second

Use with any pH meter

Durable polycarbonate body construction

Shipped in soaking solution ready for immediate use

Available In clear or black bodies(upon request)

No-Maintenance Gel filled reference

RoHS Compliant

The new S150C and S151C-ORP in polycarbonate body, offer a lower cost alternative to epoxy body pH and ORP electrodes. Choose them for general purpose lab applications, pool and spa pH and chlorine control and more.

A newly designed tip offers pH bulb and ORP platinum protection while maintaining optimum flow through the slots in the body.

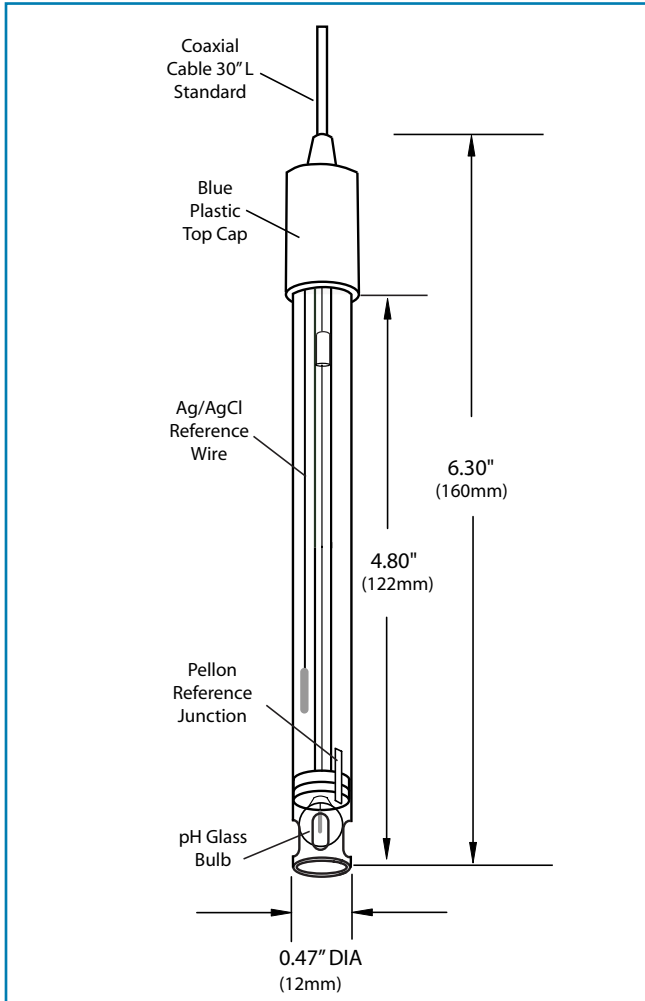
Both pH and ORP models are shipped in a soaker bottle and are ready for immediate use.

The gell-filled sealed reference provides maintenance-free operation.

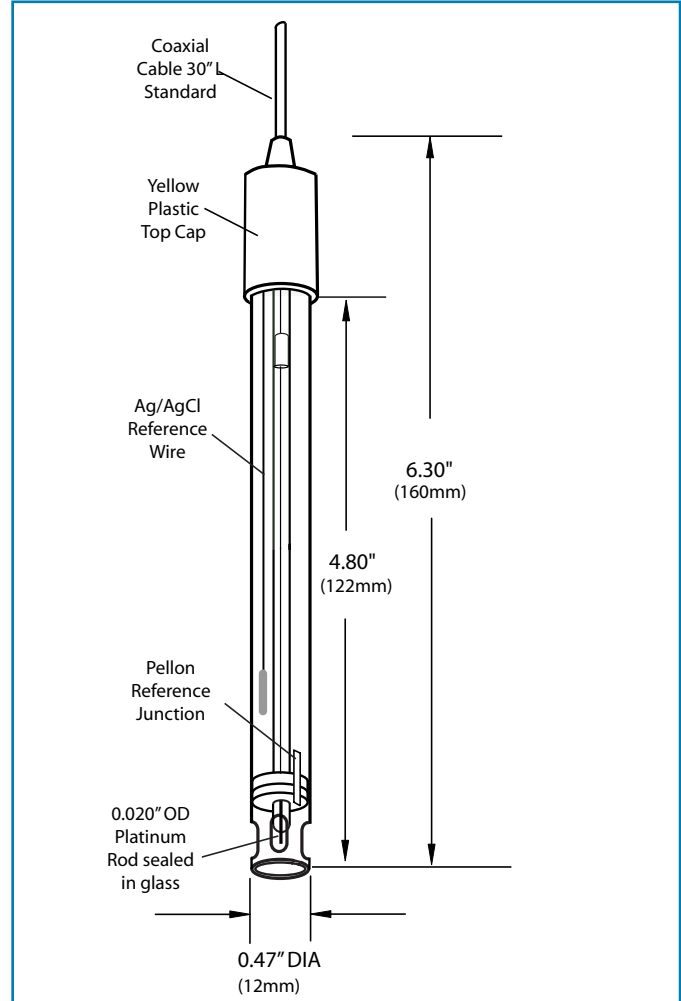
RoHS compliant, both pH and ORP models are built using lead-free glass and lead-free solder.

Standard versions are supplied in a clear Polycarbonate body. Black body versions are available upon request in OEM quantities. Contact Sensorex for more details.

**OUTLINE DRAWING AND DIMENSIONS
FOR S150C pH ELECTRODES**



**OUTLINE DRAWING AND DIMENSIONS
FOR S151C-ORP ELECTRODES**



ORDERING INFORMATION

Part no.	Description
S150C	Combination pH electrode, Clear Body, 30" cable, BNC connector or other at additional cost
S151C-ORP	Combination ORP electrode, Clear Body, 30" cable, BNC connector or other at additional cost

Note: Longer cable lengths available upon request.