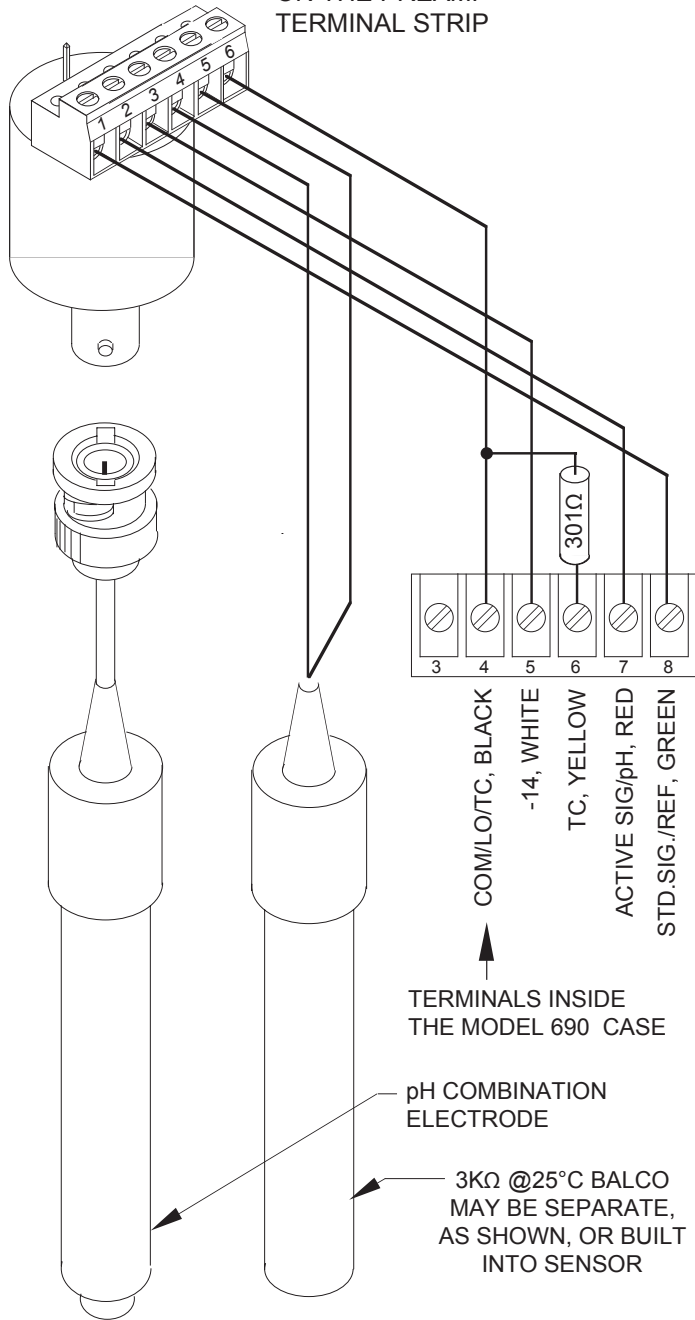


RED WIRE FROM
PREAMP BODY IS
ATTACHED TO 6
ON THE PREAMP
TERMINAL STRIP



NOTES :

GENERAL

OUTPUT TO THE INSTRUMENT FROM THE PREAMP IS UNITY GAIN.

WHEN A COMBINATION ELECTRODE IS USED, REFERENCE CONNECTION IS MADE THROUGH THE BNC CONNECTOR.

TEMPERATURE COMPENSATION

CONNECT A 3KΩ @25°C BALCO TC ELEMENT TO TERMINALS 4 AND 5 OF THE PREAMP, AS SHOWN. THEN PUT A 301Ω RESISTOR ACROSS 4 AND 6 (BLACK AND YELLOW) IN THE INSTRUMENT.

EARTH GROUNDING WARNING

DON'T LET ANY OF THE LEADS OR THE BNC CONNECTOR TOUCH METAL PIPING, CONDUIT, OR OTHER EARTH GROUNDS. THIS WILL CREATE A "GROUND LOOP" AND CAUSE VERY UNSTABLE OR OFF-SCALE READINGS. TO CHECK FOR A GROUND LOOP, DISCONNECT THE BNC AND PUT AN OHM METER BETWEEN TERMINAL 5 OF THE PREAMP AND A GOOD EARTH GROUND. IT SHOULD READ INFINITY. ANY OHMS READING AT ALL INDICATES A SHORT TO GROUND WHICH MUST BE FOUND AND ELIMINATED.

NOTES UNLESS OTHERWISE SPECIFIED:



11751 Markon Drive
Garden Grove, CA. 92841 USA
phone: 714-895-4344 fax: 714-894-4839

DRAWN BOB HUNT	TITLE GL90B PREAMPLIFIER WIRING GREAT LAKES MODEL 690		
CHECKED			
APPROVED	SCALE NONE	DRAWING NO. GL90B-690	REV.
	SHEET 1 OF 1		