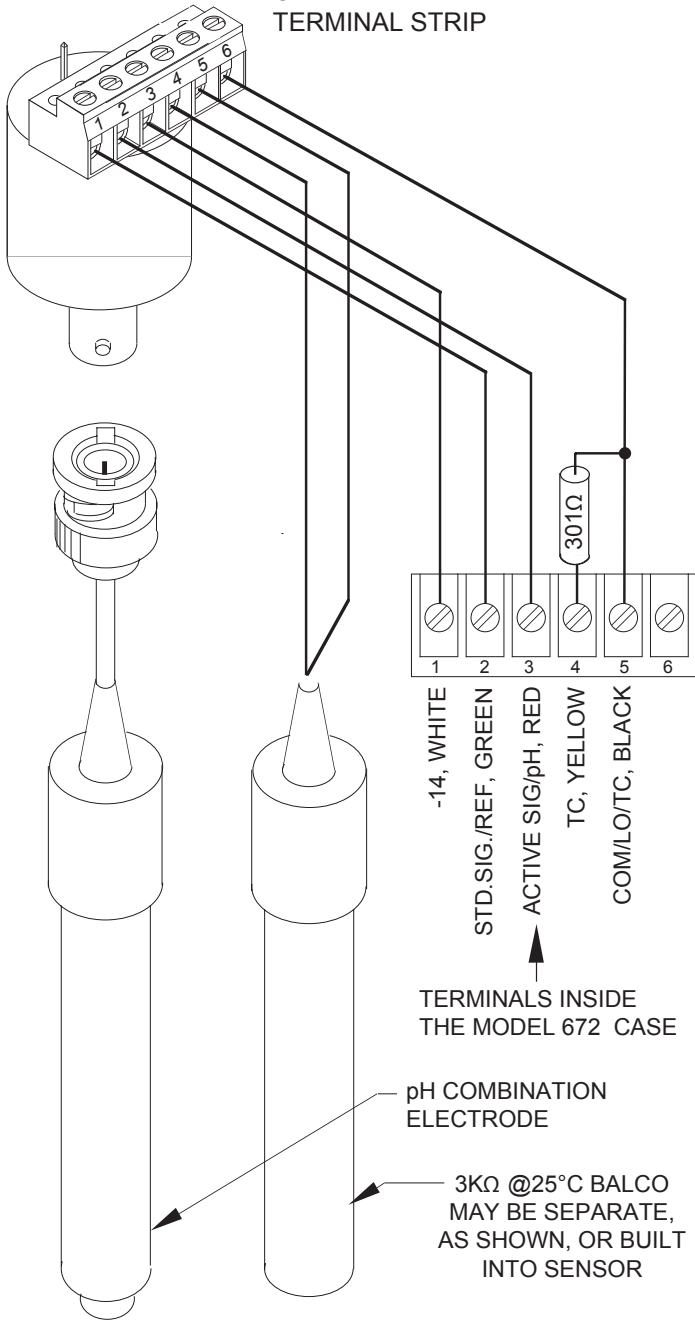


RED WIRE FROM  
PREAMP BODY IS  
ATTACHED TO 6  
ON THE PREAMP  
TERMINAL STRIP



## NOTES :

### GENERAL

OUTPUT TO THE INSTRUMENT FROM THE PREAMP IS UNITY GAIN.

WHEN A COMBINATION ELECTRODE IS USED, REFERENCE CONNECTION IS MADE THROUGH THE BNC CONNECTOR.


### TEMPERATURE COMPENSATION

CONNECT A  $3K\Omega @25^{\circ}C$  BALCO TC ELEMENT TO TERMINALS 4 AND 5 OF THE PREAMP, AS SHOWN. THEN PUT A  $301\Omega$  RESISTOR ACROSS 4 AND 5 (BLACK AND YELLOW) IN THE INSTRUMENT.

### EARTH GROUNDING WARNING

DON'T LET ANY OF THE LEADS OR THE BNC CONNECTOR TOUCH METAL PIPING, CONDUIT, OR OTHER EARTH GROUNDS. THIS WILL CREATE A "GROUND LOOP" AND CAUSE VERY UNSTABLE OR OFF-SCALE READINGS. TO CHECK FOR A GROUND LOOP, DISCONNECT THE BNC AND PUT AN OHM METER BETWEEN TERMINAL 5 OF THE PREAMP AND A GOOD EARTH GROUND. YOU SHOULD READ INFINITY. ANY OHMS READING AT ALL INDICATES A SHORT TO GROUND WHICH MUST BE FOUND AND ELIMINATED.

NOTES UNLESS OTHERWISE SPECIFIED:

		11751 Markon Drive	
		Garden Grove, CA. 92841 USA	
DRAWN <b>BOB HUNT</b>		TITLE <b>GL90B PREAMPLIFIER WIRING GREAT LAKES MODEL 672</b>	
CHECKED		DRAWING NO. <b>GL90B-672</b>	
APPROVED	SCALE <b>NONE</b>	DRAWING NO.	REV.
	SHEET <b>1 OF 1</b>		

11751 Markon Drive  
Garden Grove, CA. 92841 USA  
phone: 714-895-4344 fax: 714-894-4839