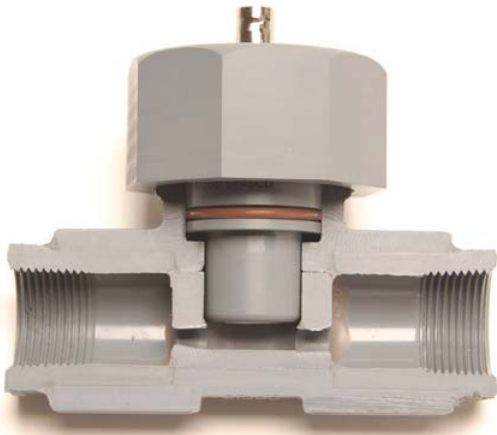




Side-Stream/By-Pass Flat-surface, Self-cleaning pH and ORP Electrodes



Quick Disconnect Design Saves Time and Money

Installs in Seconds, No Tools Needed

Flat Surface Design Resists Coating

CPVC and PVDF Construction

Available with or without ATC Elements

Side stream mountings are particularly useful in applications involving oily coating or moderately viscous materials. This mounting hardware allows the velocity past the electrode to be controlled in a predictable manner. In the 3/4 inch flow cell, restricted 1/4 inch flow channel each GPM of flow provides 2 ft/sec past the flat electrode's sensing surface. Flow rates of 3 to 5 GPM provide adequate cleaning velocities. Exact control of flow rates is not required.

In viscous material applications the above flow rates may be difficult to achieve; however, lower rates still provide flow in shear to assure that fresh material is at the measuring surface.

Specifications

Range : 0-14pH (0-12pH without Na+ error)
+/- 2000mV for ORP

Wetted materials : CPVC and HDPE or PVDF (Kynar)

Min Temperature : 10C/50F

Max Temperature : 75C/170F = 100 psig
81C/180F = 85 psig
100C/212F = 50 psig

CPVC electrode models:

S645CD, S645CD-ORP = 160F
S645CD-HT (high temp pH) = 212F

Kynar electrode models:

S645KD, S645KD-ORP = 160F
S645KD-HT (high temp pH) = 212F

Pressure : 0-100 psig (7.5 Bar)-see max temp

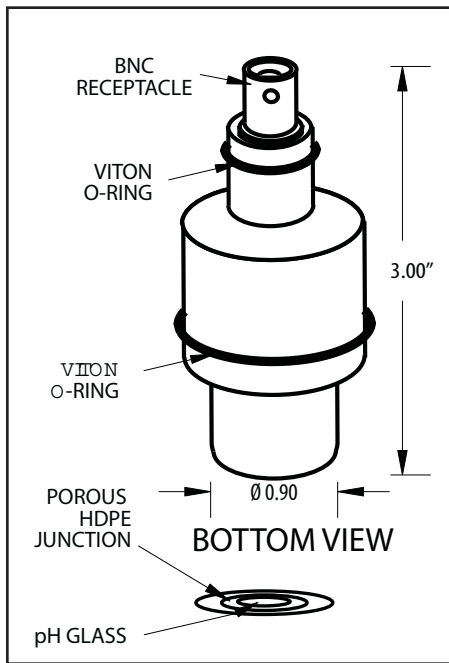
Reference Type : Sealed Double Junction



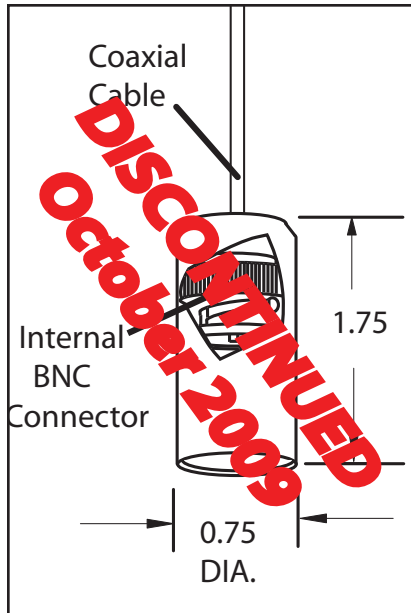
Parts covered by this product data sheet include:
S645CD, S645CD-HT, S645CD-ORP, S645KD, S645KD-ORP,
S645KD-HT

PRODUCT SPECIFICATION SHEET

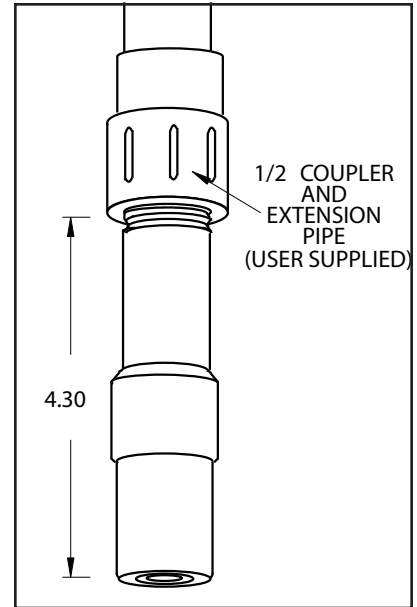
CPVC ELECTRODES



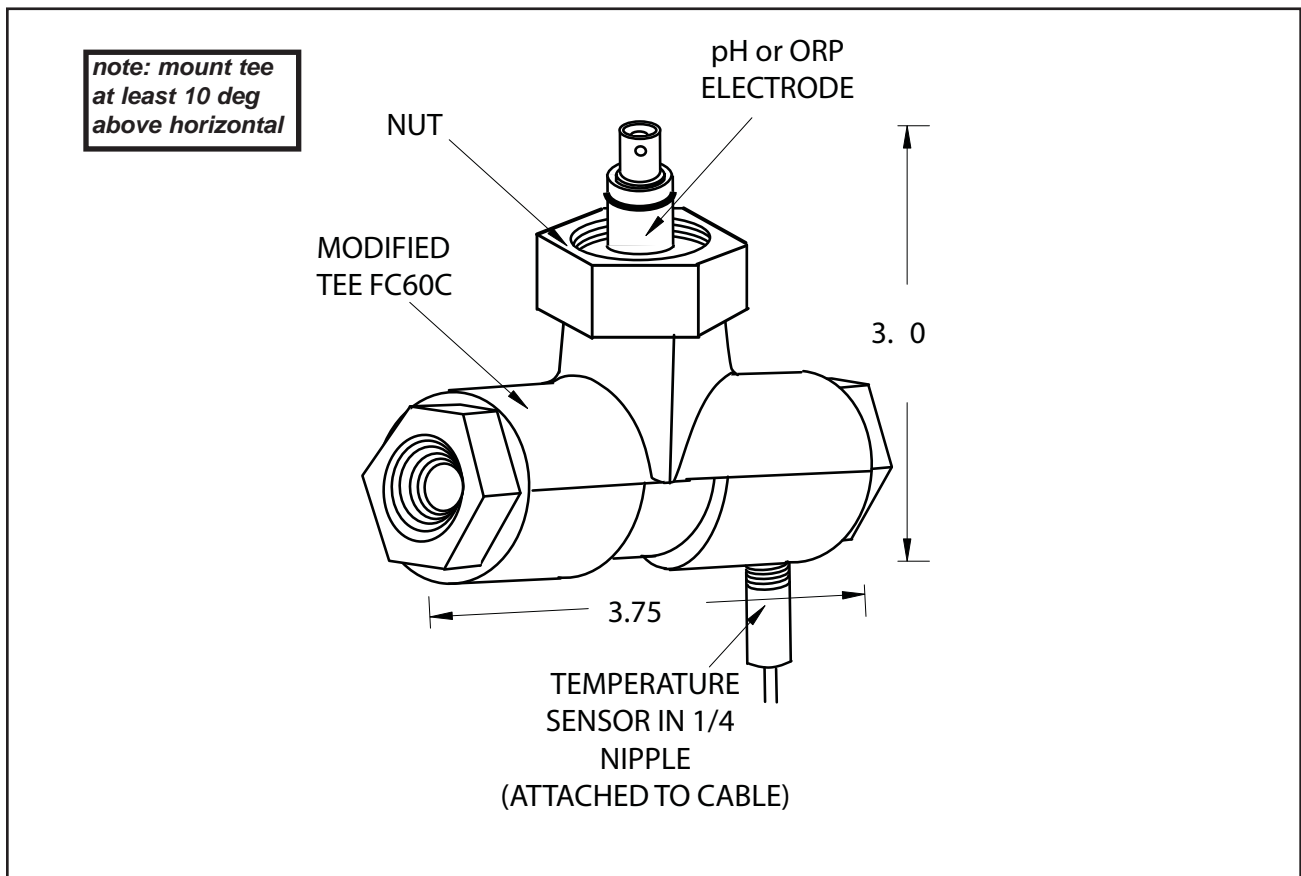
CPVC CABLE WITHOUT ATC EXPOSED CABLE MOUNTING (S648)



CPVC CABLE WITHOUT ATC EXPOSED CABLE MOUNTING (S653)

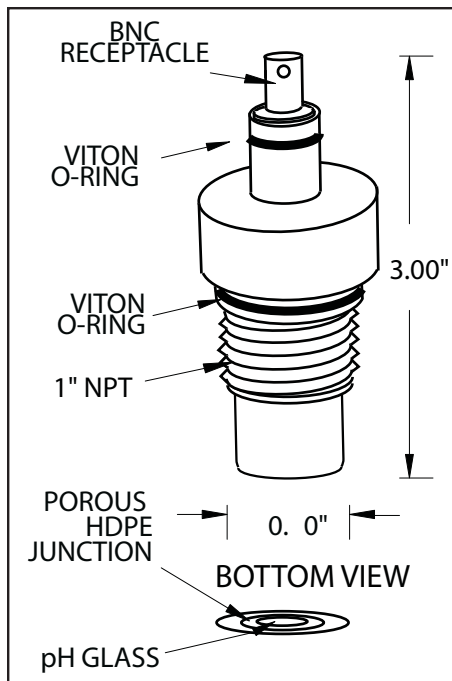


INSTALLATION VIEW OF S645CD/ORP IN FC60C/TC TEE ASSEMBLY

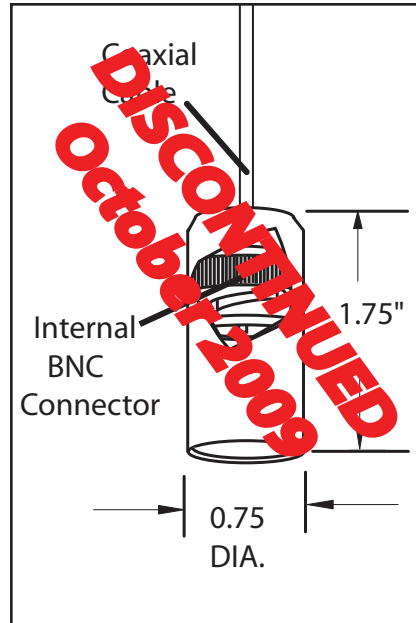




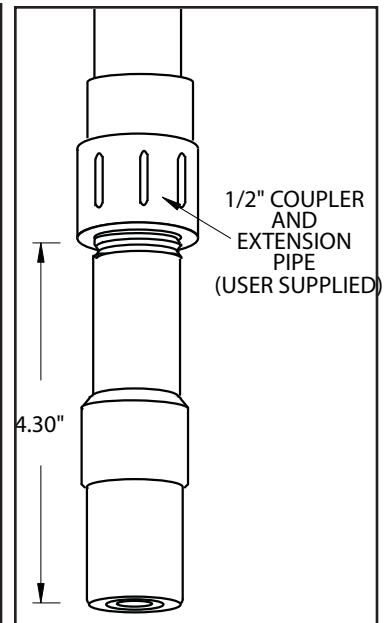
KYNAR(PVDF) ELECTRODES



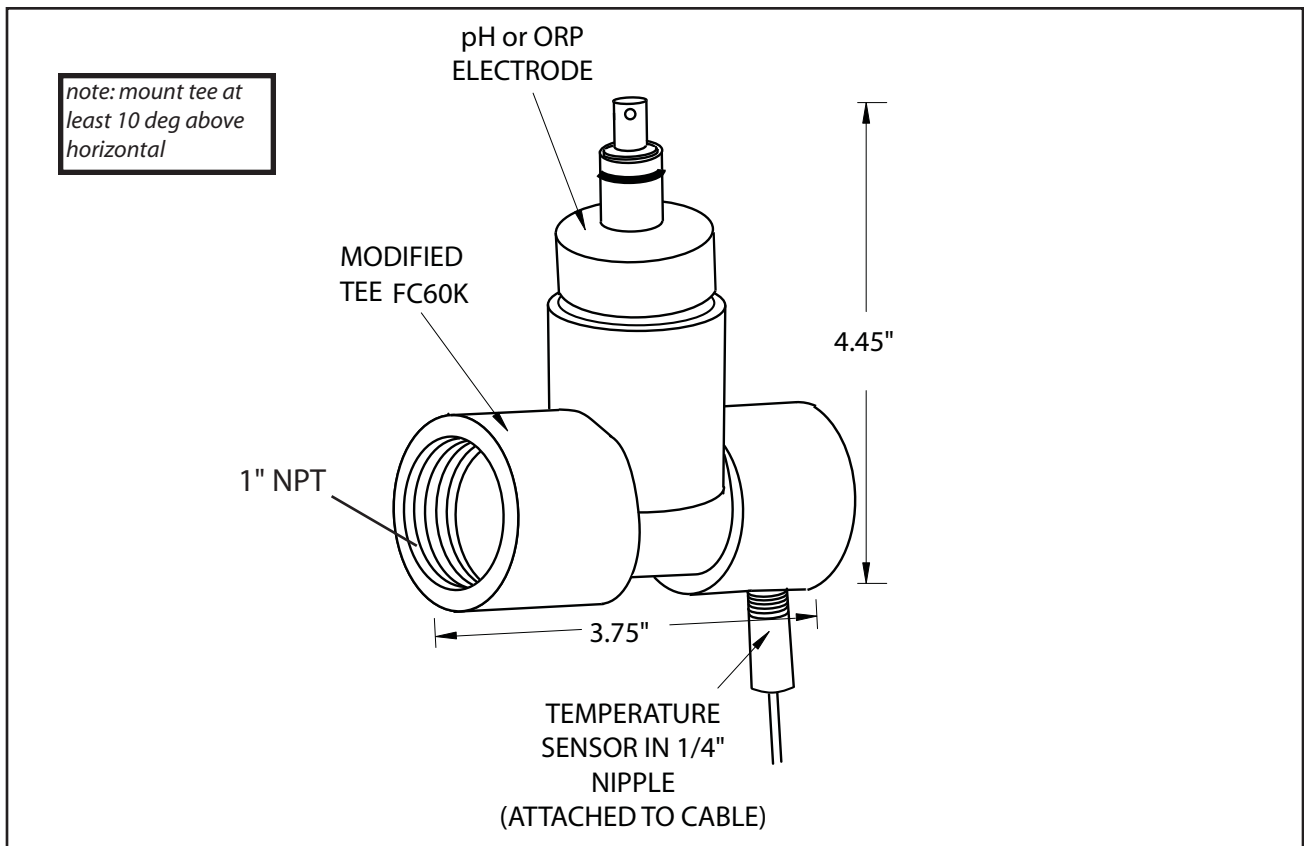
CPVC CABLE WITHOUT ATC EXPOSED CABLE MOUNTING (S648)



CPVC CABLE WITHOUT ATC EXPOSED CABLE MOUNTING (S653)



EXPLODED INSTALLATION DRAWING FOR S645KD/ORP IN FC60C/TK TEE



PRODUCT SPECIFICATION SHEET

ORDERING INFORMATION

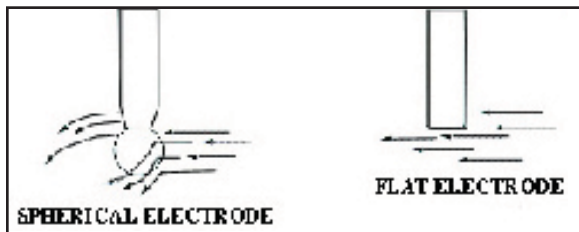
Systems without temperature compensation

ORDER 3 ITEMS	DESCRIPTION	CPVC PARTS	KYNAR (PVDF) PARTS
1. Select one flow cell	Flow cell	FC60C	FC60K
2. Select one electrode	Combination pH electrode pH combination electrode(high temp) ORP combination electrode ORP combination electrode (high temp)	S645CD S645CD-HT S645CD-ORP S645CD-ORP-HT	S645KD S645KD-HT S645KD-ORP INQUIRE
3. Select cable assembly	For conduit use	S653-"cable length"- "connector"	S653K-"cable length"- "connector"

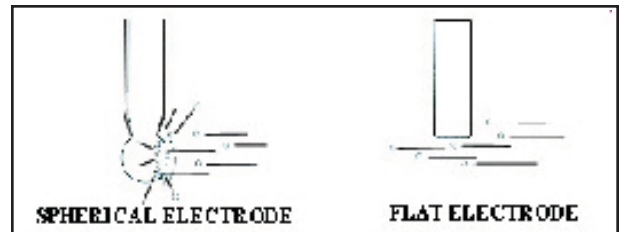
Systems with temperature compensation

ORDER 2 ITEMS	DESCRIPTION	CPVC PARTS	KYNAR (PVDF) PARTS
1. Select one flow cell	Flow cell, cable assembly with ATC pH combination electrode(high temp)	FC60TC-"ATC CODE"-cable length- connectors	FC60TK-"ATC CODE"-cable length- connectors
2. Select one electrode	Combination pH electrode pH combination electrode(high temp)	S645CD S645CD-HT	S645KD S645KD-HT

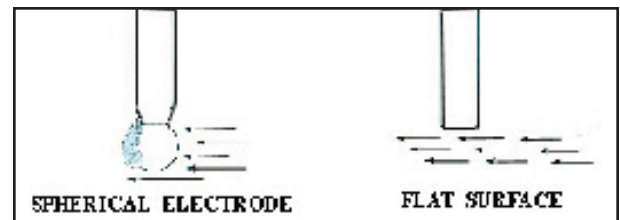
SELF-CLEANING OPERATION



ABRASION-FREE OPERATION



VISCOUS MATERIAL OPERATION



11751 Markon Dr.
Garden Grove, CA 92841 USA

Tel: 714-895-4344
Fax: 714-894-4839
E-mail: info@sensorex.com
www.sensorex.com