

By-pass/Side Stream pH and ORP Electrode Fittings - Without Temperature Compensation

Description of Parts

FC60C includes special flow cell (tee), metal washer, white nut.

Mechanical Installation

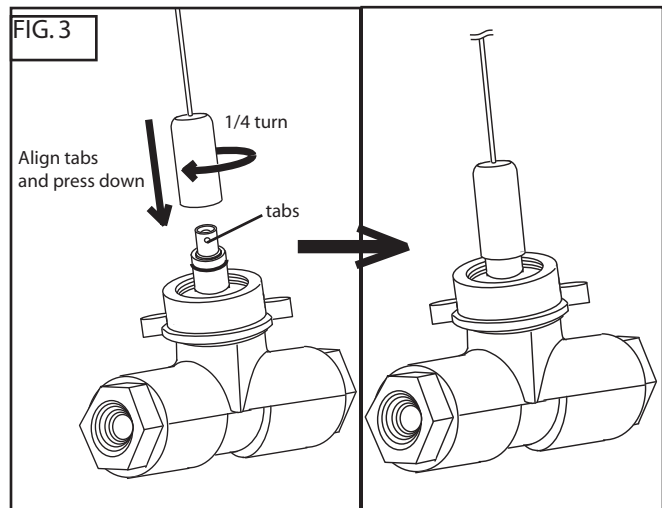
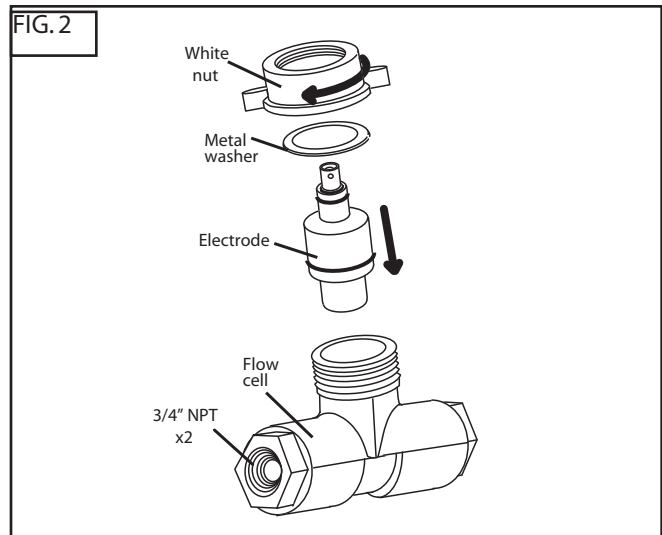
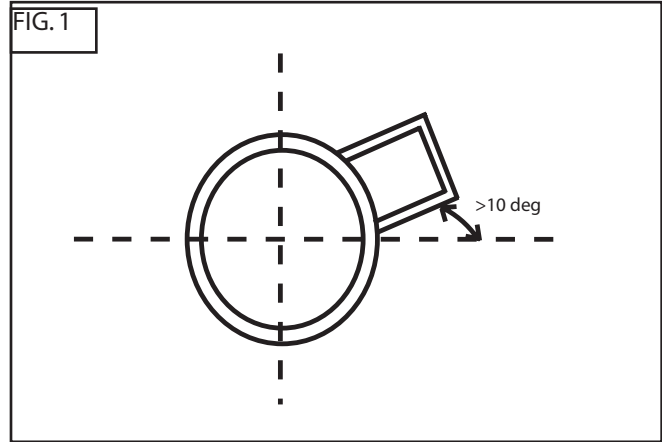
Installation of the CPVC by-pass pH or ORP system requires the FC60C Flow Cell a Cable Assembly (S648 or S653) and CPVC pH or ORP electrode (many models). Taking care to not over-tighten plastic threads (particularly when screwing male metal pipe into female plastic fittings) proceed as follows:

- A. install tee into pipeline via 3/4" NPT connection. Make sure the tee is installed >10 deg above horizontal plane (See FIG 1)
- B. Remove white nut and washer by turning nut counter clockwise.
- C. Install electrode until it seats completely into flow cell (apply grease to large body o-ring first).
- D. Install metal washer on top electrode.
- E. Install white nut onto tee by turning clockwise as shown in FIG. 2

Cable Considerations

The grey plastic cap with the recessed BNC connector is fitted onto the electrode's connector as is described in FIG. 2. The exposed cable should be secured to supports to prevent cable sway. For installing the cable in conduit, a threaded cable cap assembly should be used. Before the main rigid conduit, a short length of flexible, waterproof conduit should be used so that the electrode can installed and removed easily.

Install cable by aligning tabs in connectors, pressing down and turning 1/4- turn as shown in FIG. 3.




11751 Markon Dr.
Garden Grove, CA 92841 USA

Tel: 714-895-4344
Fax: 714-894-4839
E-mail: info@sensorex.com
www.sensorex.com