



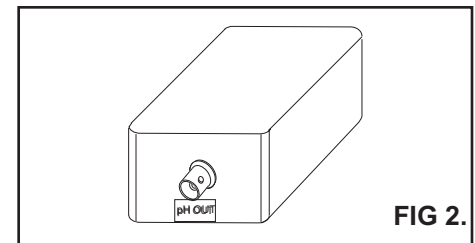
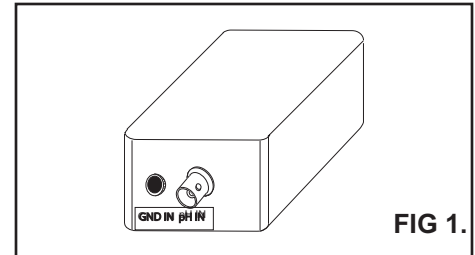
GLE-1, GLE-275, GLE-12100

SECTION 1.0 - ELECTRODE AND GROUND INSTALLATION

STEP 1: Install electrode into GLE-1 via BNC connector marked "pH IN" as shown in FIG 1.

STEP 2: Install ground sensor into receptacle marked "GND IN" as shown in FIG 1.

STEP 3: Install output cable into receptable marked "pH OUT" (opposite of inputs) as shown in FIG 2.



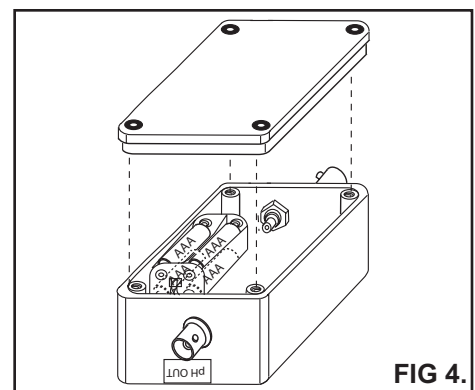
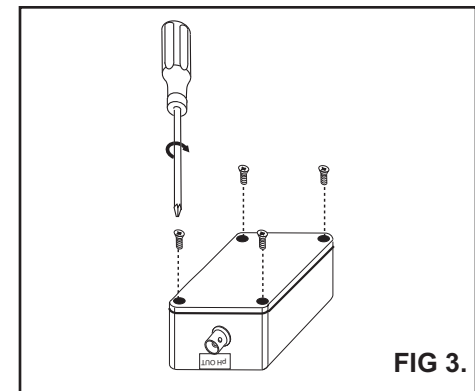
SECTION 2.0 - BATTERY REPLACEMENT

STEP 1: Remove all connections from the GLE-1 first!

STEP 2: Turn GLE-1 upside down and remove 4 screws as shown in FIG 3.

STEP 3: Remove cover as shown in FIG 4.

STEP 4: Remove battery case as shown in FIG 5. (next page)

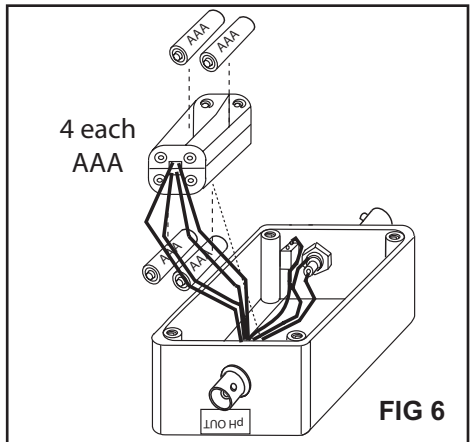
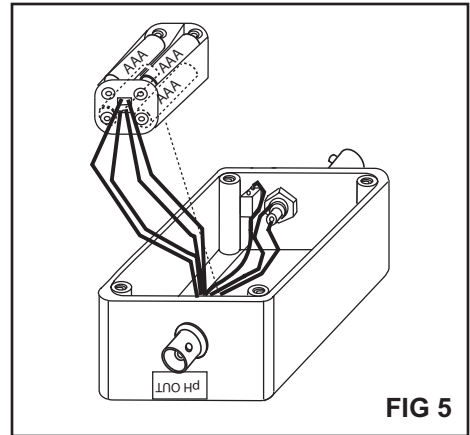


GLE-1, GLE-275, GLE-12100

SECTION 2.0 - BATTERY REPLACEMENT (cont'd)

STEP 5: Remove all 4 batteries (AAA type) from battery case and replace with new ones as shown in FIG 6.

STEP 6: Reverse Step 4-1 to re-assemble the GLE-1



11751 Markon Dr.
Garden Grove, CA 92841 USA

Tel: 714-895-4344
Fax: 714-894-4839
E-mail: info@sensorex.com
www.sensorex.com

Parts covered include:
GLE-1, GLE-275, GLE-12100