



Low Cost Submersion and In-Line pH Electrodes



S260 Series Ryton Sensors



S222 Series Quick Disconnect Models

Economical design for in-line or submersion use

Choose from single or double junction models

Threaded 1/2" or 3/4" NPT connections

Choose from spherical or flat pH measuring surfaces

Special models for low ionic and other specialty applications available

This series of electrodes are designed to provide an economical multi-purpose solution for in-line or submersion pH measurements. Based on our proven S200C bulb and S350CD flat surface pH glass technology, these rugged and durable electrodes are available in Ryton[®] nipples with 1/2" or 3/4" NPT threads; or in our durable epoxy body with or without quick disconnect top caps. Choose from single or double junction designs, flat or recessed measuring surfaces, pH or ORP configurations and cable lengths and connectors as required. For special configurations such as low ionic models, fluoride resistant pH glass and other specialty sensors, please contact the Sensorex sales or technical support department.



Low Cost Submersion and In-Line pH Electrodes

Specifications

Measuring Range	0-14 pH (+/-2000 mV for ORP models)
Body material	Epoxy (S200 and S222 Series) or Ryton, (S265-S269 Series, S271CD and S272CD)
Max Temperature/Pressure	S265-S269 Series : 32-176 deg F (0-80 deg C)/70 psig S271CD and S272CD : 170 deg F (75 deg C)/100 psig, 180 deg F (81 deg C)/85 psig, 212 deg F (100 deg C)/50 psig
Connector	BNC, tinned wires (other connectors available for an additional charge)
Cable length	30" or longer for S200 Series lengths at additional cost user specified, (Cap-cable S653 required for S222 Series). 10ft length for S265-S269 series, 10ft waterproof cable for S271CD and S272CD
Process Connection	1/2" or 3/4" MNPT for submersion or in-line

Ordering Information

The S200 and S222C series sensors are a lower cost alternative to the Ryton body sensors. The S200 series require mounting fitting for in-line use. The S222C series require a separate reusable cable assembly and fitting for in-line mounting. See next page for fittings and cables for the S200 and S222 series. Our economical Ryton body sensor are submersion and in-line ready by utilizing the 1/2" or 3/4" MNPT threads on the sensor. 10ft cable length is standard. Special lengths available upon request.

pH Sensors	Body Material	Key Features
(To order an ORP model instead of pH, simply add - ORP to the model numbers below.)		
S200C	Epoxy	Single junction, spherical bulb,
S200CD	Epoxy	Double junction, spherical bulb
S200CD-LC	Epoxy	Double junction, spherical bulb for low ionic samples
S222C	Epoxy	Single junction cartridge, spherical bulb, requires separate cable
S222CD	Epoxy	Double junction cartridge, spherical bulb, requires separate cable
S265C	Ryton®	Single junction 1/2" NPT spherical bulb
S265CD	Ryton®	Double junction 1/2" NPT spherical bulb
S267C	Ryton®	Single junction 3/4" NPT spherical bulb
S267CD	Ryton®	Double junction 3/4" NPT spherical bulb
S268CD	Ryton®	Double junction 1/2" NPT flat surface
S269CD	Ryton®	Double junction 3/4" NPT flat surface
S271CD	Ryton®	Double junction 3/4" NPT spherical bulb, heavy duty
S272CD	Ryton®	Double junction 3/4" NPT flat surface , heavy duty

Parts covered by this product data sheet include:: S200C, S200CD, S222C, S222CD, S265C-S269CD, S271CD and S272CD



Low Cost Submersion and In-Line pH Electrodes (Continued)



Mounting glands



Battery Pre-amp-PHAMP-1



Color coded pH buffers



2-wire pH/mV transmitter

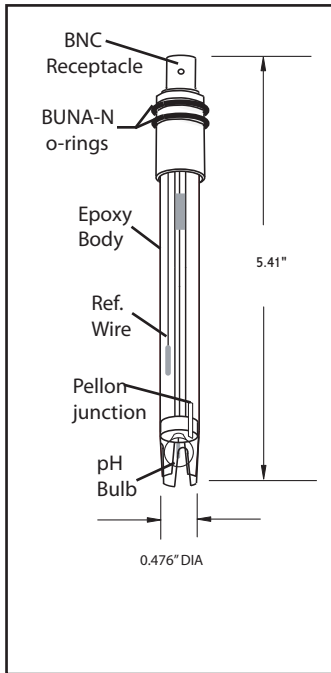
Accessories

FC50P	1/2 " NPT mounting gland for 12mm electrodes
FC75P	3/4 " NPT mounting gland for 12mm electrodes
FC75TC	3/4 " flow cell, mounting gland and ATC cable for 12mm electrodes
S653	Cap Cable assembly for S222 series (Specify cable length and connector termination when ordering)
PHAMP-1	Battery powered unity gain pH/ORP preamplifier
TX100	4-20mA loop-powered pH transmitter
B104	1 pint 4.01 pH Buffer
B107	1 Pint 7.00 pH Buffer
B110	1 Pint 10.00 pH Buffer
BP104-100	Buffer packet pH 4.01, 100 count add 100mL DI water
BP107-100	Buffer packet pH 7.00 100 count add 100mL DI water
BP110-100	Buffer packet pH 10.00 100 count add 100mL DI water

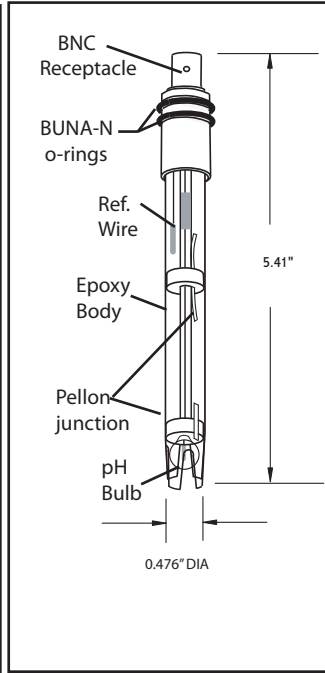
Parts covered by this product data sheet include: S200C, S200CD, S222C, S222CD, S265C-S269CD, S271CD and S272CD

PRODUCT SPECIFICATION SHEET

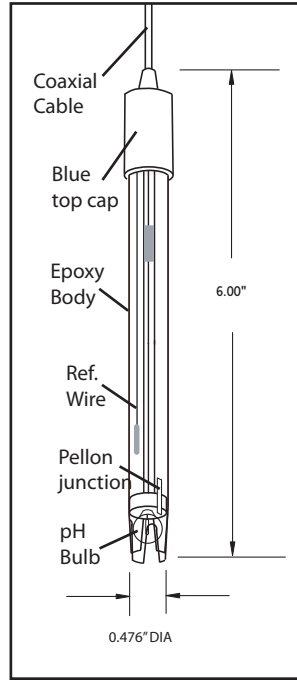
S222C



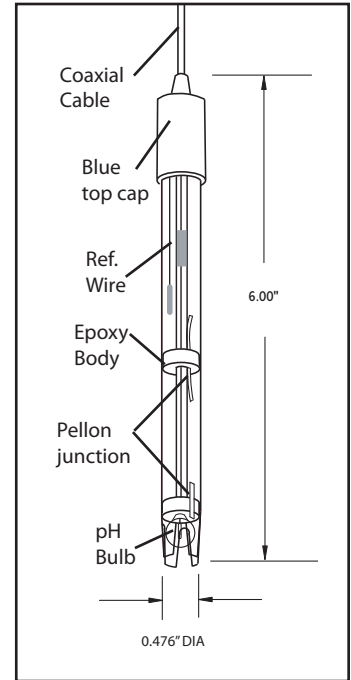
S222CD



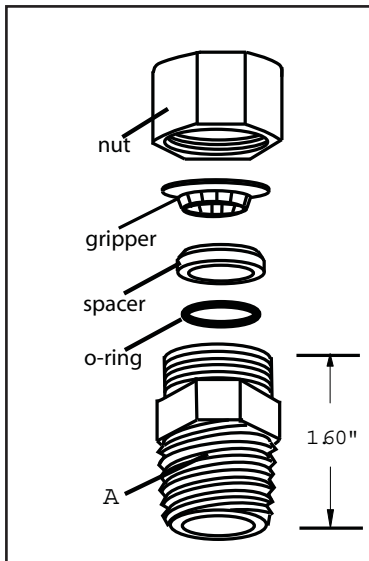
S200C



S200CD/S200CD-LC

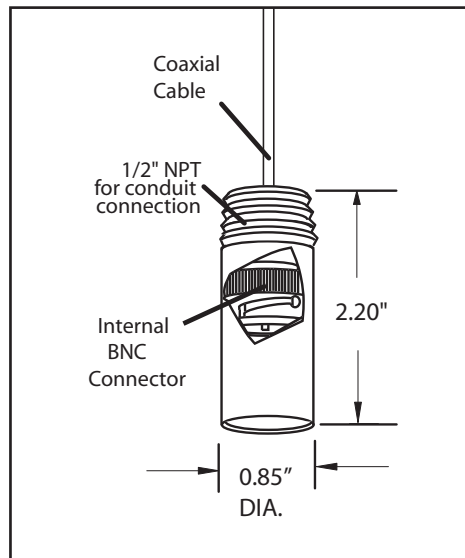


FC50P and FC75P

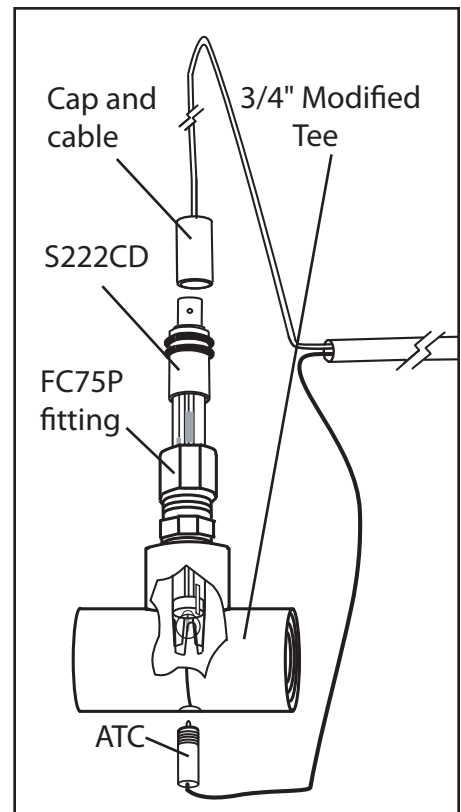


Part No.	Dim. A
FC50P	1/2" NPT
FC75P	3/4" NPT

S653 Cap and Cable for Conduit use



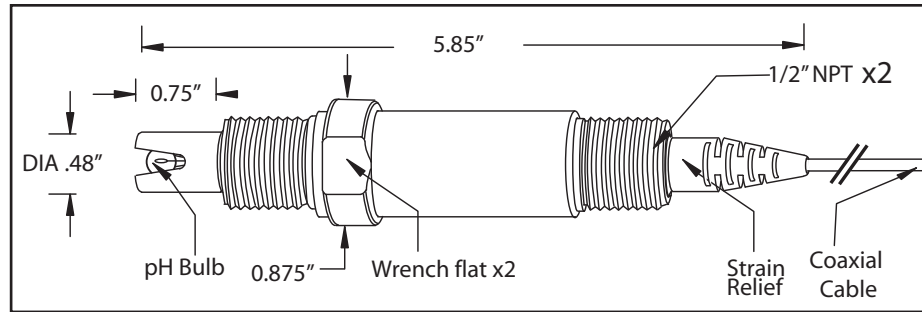
FC75TC Installation



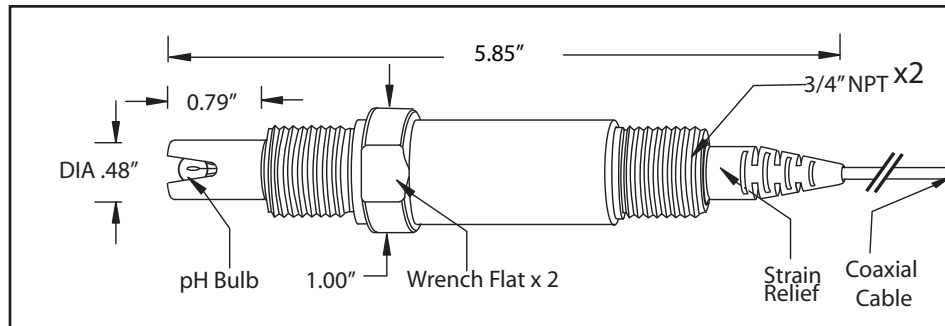
Parts covered by this product data sheet include: S200C, S200CD, S222C, S222CD, S265C-S269CD, S271CD and S272CD



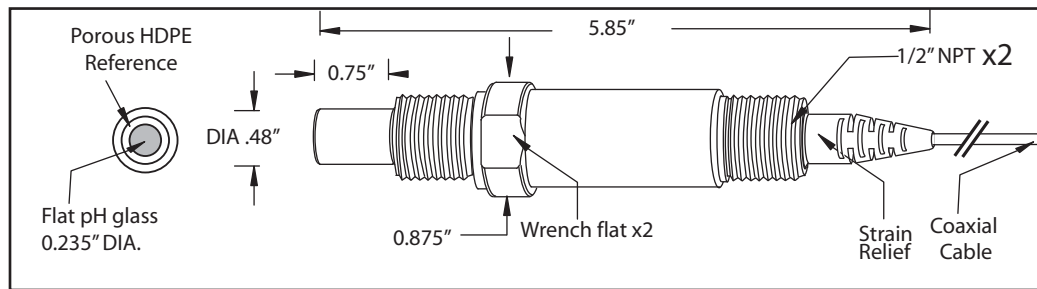
S265C/CD



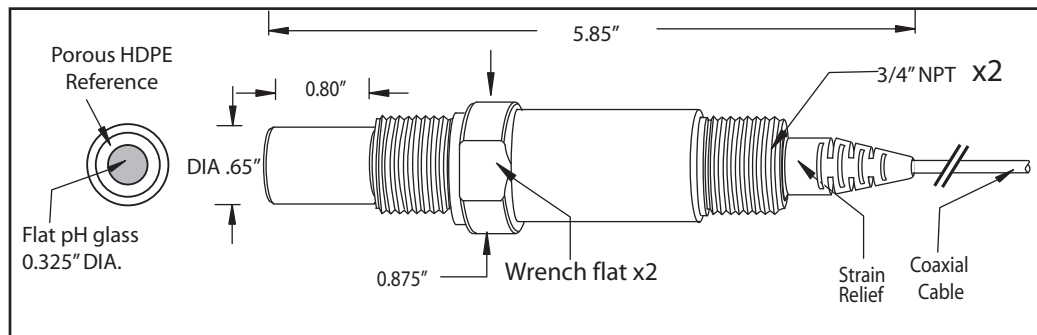
S267C/CD



S268CD



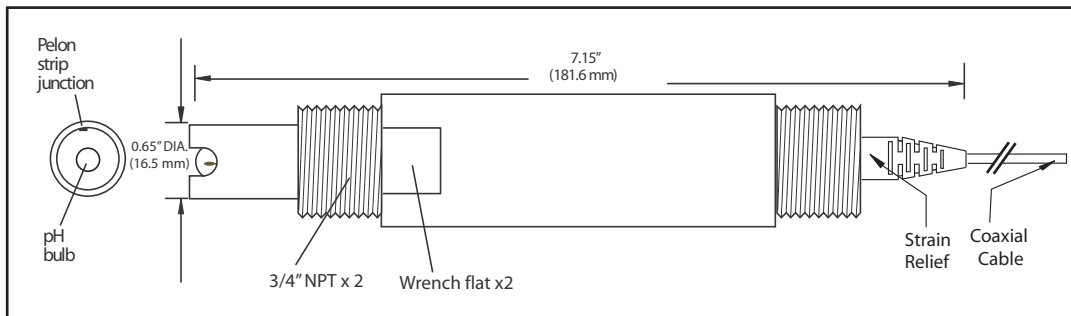
S269CD



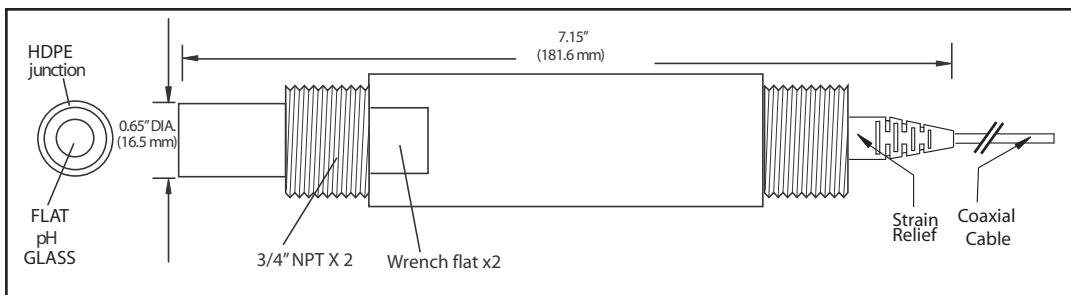
Parts covered by this product data sheet include:: S200C, S200CD, S222C, S222CD, S265C-S269CD

PRODUCT SPECIFICATION SHEET

S271CD



S272CD



11751 Markon Dr.
Garden Grove, CA 92841 USA

Tel: 714-895-4344
Fax: 714-894-4839
E-mail: info@sensorex.com
www.sensorex.com

Parts covered by this product data sheet include: S200C, S200CD, S222C, S222CD, S265C-S269CD, S271CD and S272CD