



Flat-surface, Self-cleaning pH and ORP Electrodes

Insertion/wet-tap pH and ORP electrodes, assemblies and cables



Quick Disconnect Design Saves Time and Money

Installs in Seconds, No Tools Needed

Flat Surface Design Resists Coating

CPVC or PVDF Construction

Available with or without ATC Elements

The insertion assembly allows pH measurements to be made in pressurized tanks and main lines without the need for system shutdown for electrode maintenance. The assembly's adjustable insertion depth allows it to be placed in a turbulent flow region so that it can operate in the self-cleaning mode.

In abrasive applications, the electrode is best positioned even with the pipe or tank wall. High suspended solids and viscous liquid pH measurements are simple with the insertion assembly and electrode pair. A specially designed internal allows the electrode to be mounted in any direction, including inverted. A 1" full-port ball-valve is recommended for installation.

Specifications

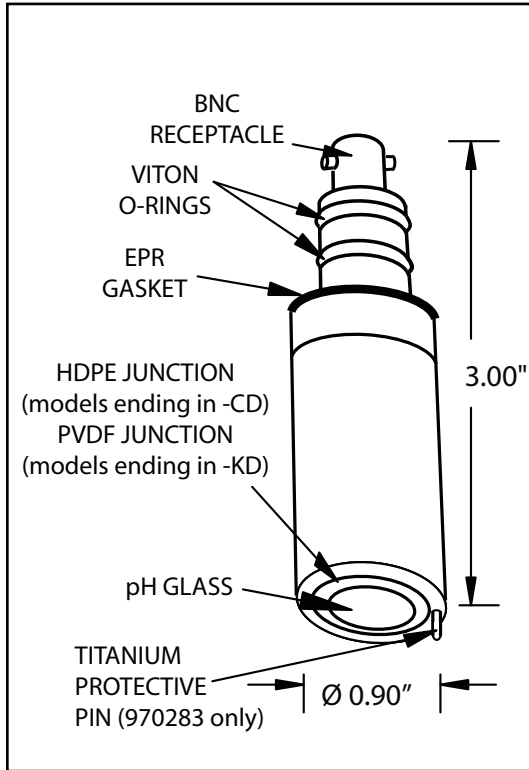
Range	:0-14pH (0-12 pH without Na+ error) +/- 2000mV for ORP	
Body material	:CPVC or PVDF	
Junction material	:HDPE for CPVC and PVDF for PVDF	
Min Temperature	:10C/50F	
Max Temperature	75C/170F	= 100 psig
	81C/180F	= 85 psig
	100C/212F	= 50 psig
Pressure	:0-100 psig (7.5 Bar)-see max temp	
Reference Type	:Double Junction	
Installation	:Insertion, any direction	

Parts covered by this product data sheet include:
S675, S676, S677, S675TC, S676TC, S677TC, S655CD, S655CD-HT, S655CD-ORP,
S655CD-ORP-HT, S655KD, S655KD-HT, S655KD-ORP, 970283

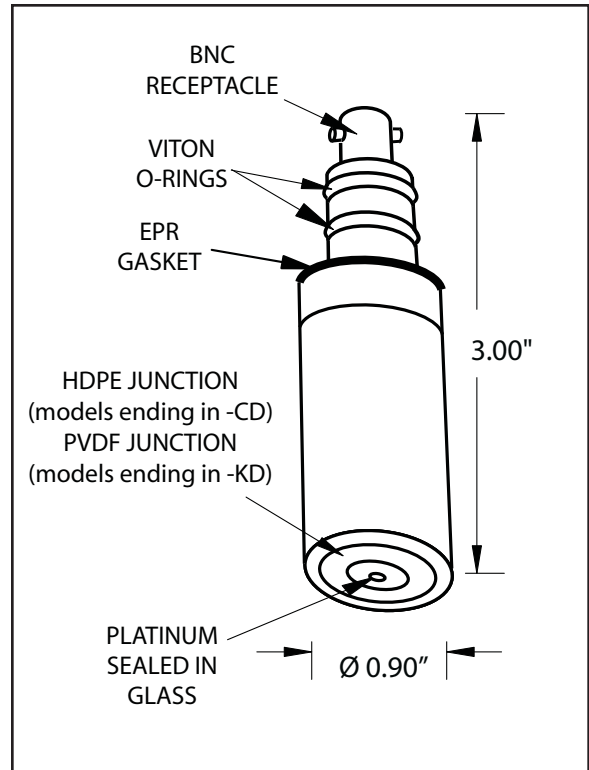


CPVC and KYNAR ELECTRODES

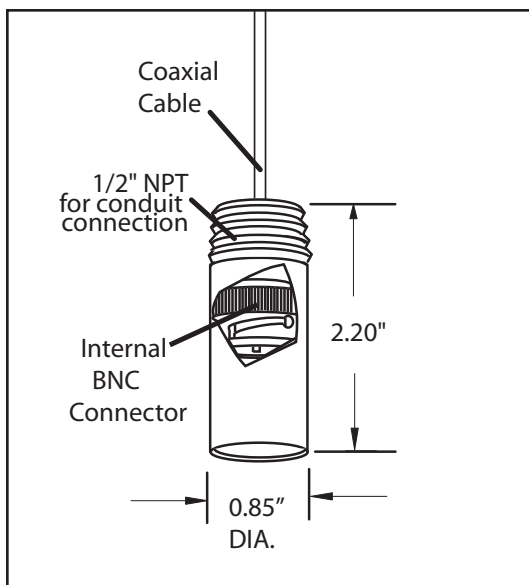
pH - S655CD, S655CD-HT,
S655KD, S655KD-HT



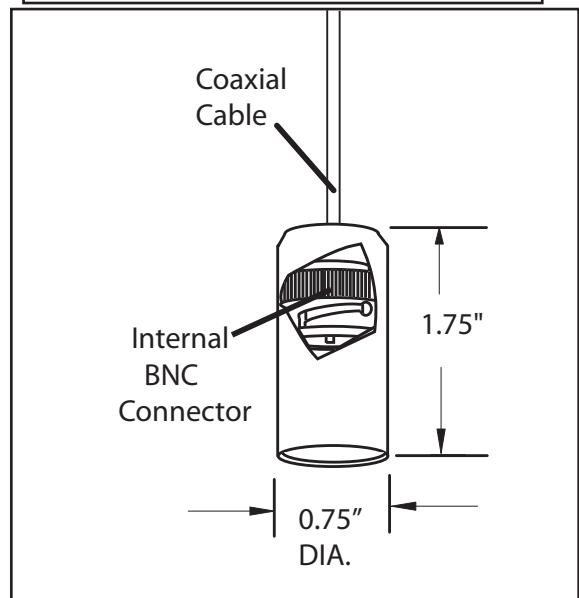
ORP - S655CD-ORP, S655CD-ORP-HT,
S655KD-ORP, S655KD-ORP-HT



CPVC and KYNAR CABLES WITH CONDUIT CONNECTION (NO ATC) - S653, S653K

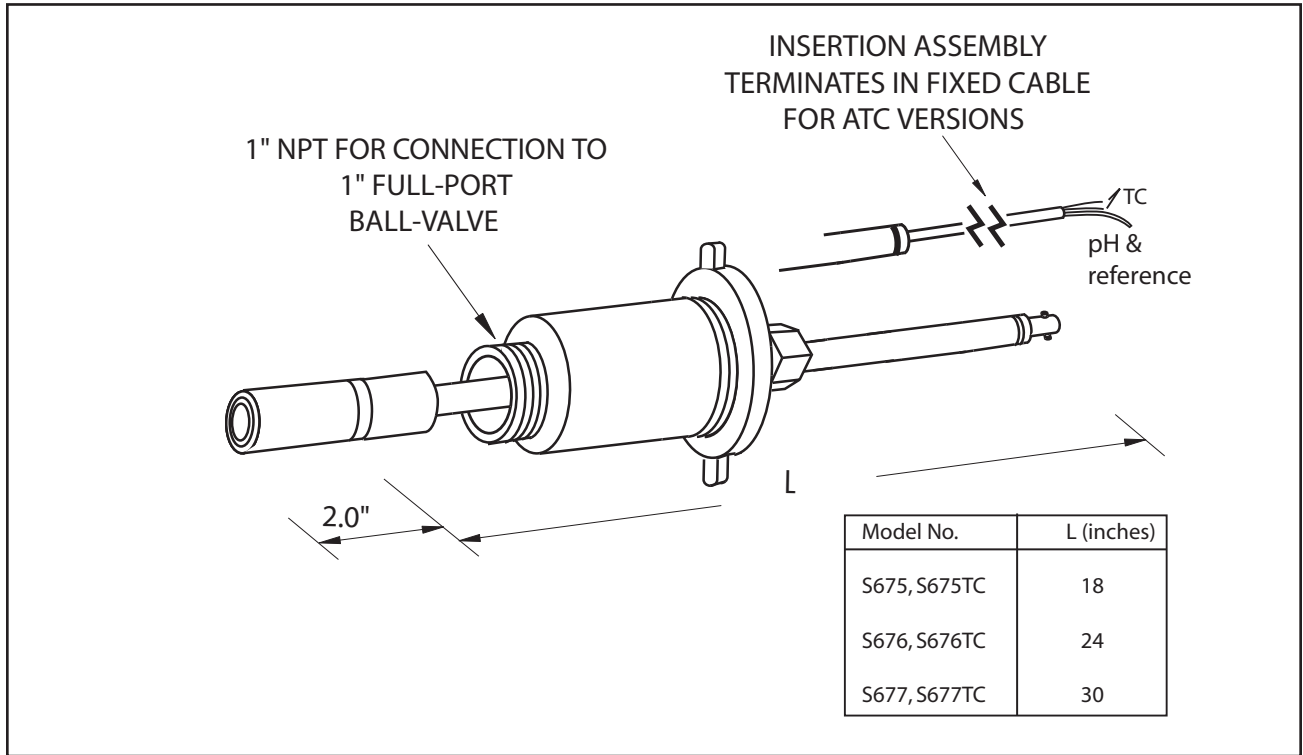


CPVC and KYNAR CABLES EXPOSED CABLE CONNECTION (NO ATC) - S648, S648K

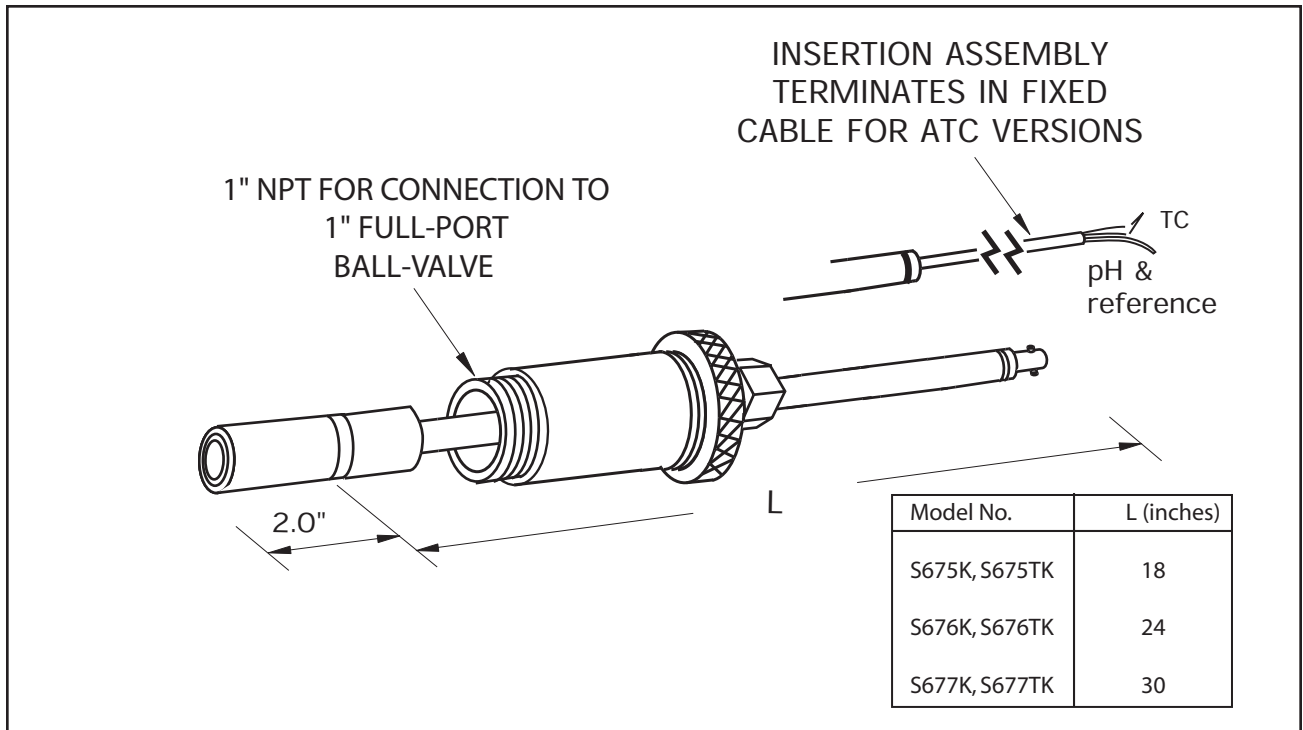




CPVC pH and ORP Insertion Assemblies (With and Without ATC) -S675, S675TC



PVDF pH and ORP Insertion Assemblies (With and Without ATC)-S675K, S675TK



PRODUCT SPECIFICATION SHEET

ORDERING INFORMATION

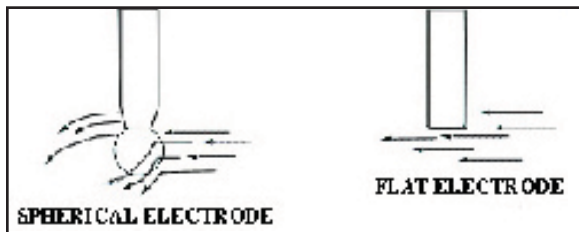
Systems without temperature compensation

ORDER 3 ITEMS	DESCRIPTION	CPVC PARTS	KYNAR (PVDF) PARTS
1. Select one insertion assembly	Insertion assembly 12" depth	S675	S675K
	Insertion assembly 18" depth	S676	N/A
	Insertion assembly 24" depth	S677	N/A
2. Select one electrode (pH or ORP)	pH combination electrode	S655CD	S655KD
	pH combination electrode(high temp)	S665CD-HT	S655KD-HT
	ORP combination electrode	S655CD-ORP	S655KD-ORP
	ORP combination electrode(high temp)	N/A	
3. Select one cable assembly	For conduit use	S653-"cable length"-"Connector"	S653K-"cable length"-"Connector"
	for exposed cable use	S648-"cable length"-"Connector"	S648K-"cable length"-"Connector"

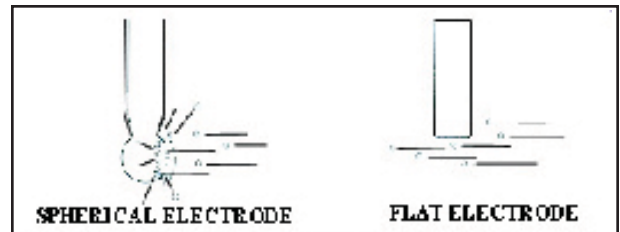
Systems with temperature compensation

ORDER 2 ITEMS	DESCRIPTION	CPVC PARTS	KYNAR (PVDF) PARTS
1. Select one insertion assembly	Insertion assembly 12" depth	S675TC-"TC TYPE"-"CABLE LENGTH"-"PH CONN"/"TC CONN"	S675TK
	Insertion assembly 18" depth	S676TC-"TC TYPE"-"CABLE LENGTH"-"PH CONN"/"TC CONN"	N/A
	Insertion assembly 24" depth	S677TC-"TC TYPE"-"CABLE LENGTH"-"PH CONN"/"TC CONN"	N/A
2. Select one electrode (pH or ORP)	pH combination electrode	S655CD	S655KD
	pH combination electrode(high temp)	S665CD-HT	S655KD-HT
	ORP combination electrode	S655CD-ORP	S655KD-ORP
	ORP combination electrode(high temp)	N/A	N/A

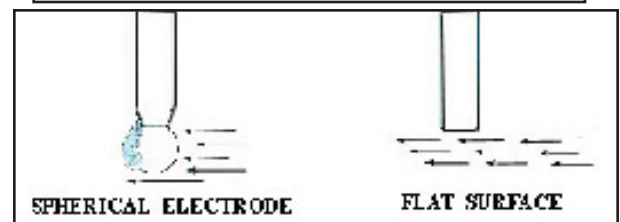
SELF-CLEANING OPERATION



ABRASION-FREE OPERATION



VISCOUS MATERIAL OPERATION



Sensorex[®]

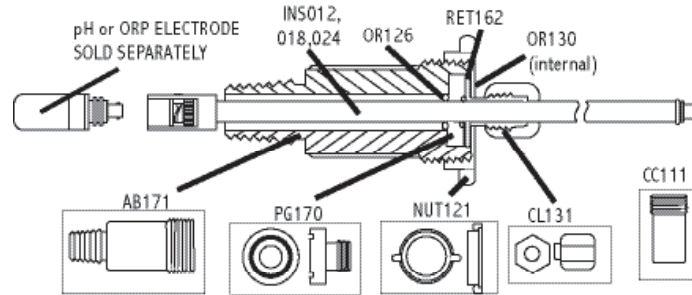
11751 Markon Dr.
Garden Grove, CA 92841 USA

Tel: 714-895-4344
Fax: 714-894-4839
E-mail: info@sensorex.com
www.sensorex.com

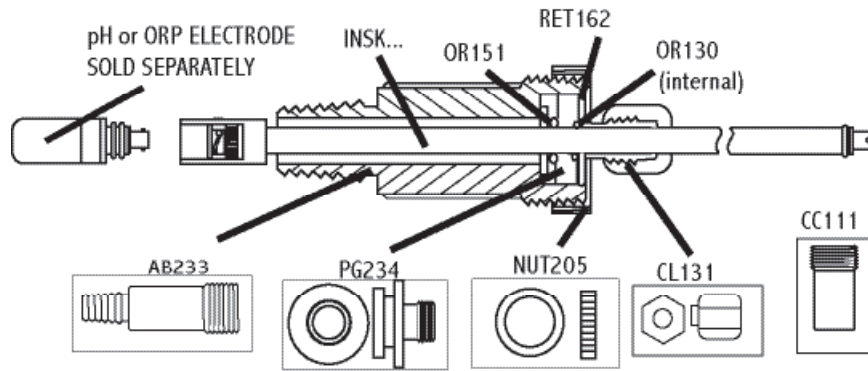


ORDERING INFORMATION - REPLACEMENT PARTS

**S675 INSERTION ASSEMBLY CUT AWAY VIEW
SHOWING REPLACEMENT PARTS**



**KYNAR INSERTION ASSEMBLY CUT AWAY
VIEWS SHOWING REPLACEMENT PARTS**



DESCRIPTION	PVC PARTS	KYNAR (PVDF) PARTS
Insertion tube 12" depth (18" length)*	INS012	INS012K
Insertion tube 18" depth (24" length)**	INS018	INS018K
Insertion tube 24" depth (30" length)***	INS024	INS024K
Insertion tube 12" depth*, with ATC	INS012TC	INS012TK
Insertion tube 18" depth**, with ATC	INS018TC	INS018TK
Insertion tube 24" depth***, with ATC	INS024TC	INS024T
Packing gland sliding seal, o-ring	OR130	OR130
Packing gland	PG170	PG234
Adapter Body	AB171	AB233
Retainer Nut	NUT121	NUT205
O-ring face seal (Large ring on PG170 and PG234)	OR126	OR131
Compression Nut and Ferrule	CL131	CL131
Steel Retainer Ring	RET162	RET162
Cable connection (1/2" NPT)	CC111	CC111

